

Driveline Whine –  
Preliminary Checks

MODEL 2002-04 MY  
X-TYPE

VIN C00294-E02938

**Issue:**

On some 2002-04 MY X-TYPE vehicles within the above VIN range, customers may have a concern of driveline whine. This bulletin outlines some noise paths that may allow an objectional level of sound to enter the passenger compartment. These areas should always be checked before replacing a driveshaft for this concern.

**Action:**

In case of a verified customer concern of a driveline whine, follow the workshop procedure outlined below.

WORKSHOP PROCEDURE

**Note:** There is no time in the Labor Time Allowance to carry out road test diagnosis or renewal of seals and grommets. Jaguar recommends a claim of 0.50 hrs. as straight time for VVA.

1. Raise vehicle on a lift.
2. Check the air conditioning (A/C) drain hose for correct routing (Illustration 1).

**ROUTING OF A/C DRAIN HOSE**

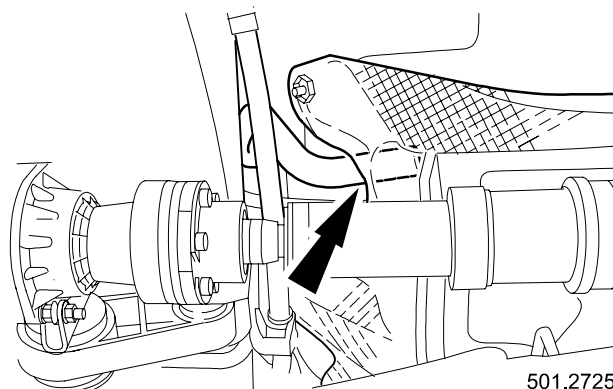


ILLUSTRATION 1

**NOTE: THE INFORMATION IN TECHNICAL BULLETINS IS INTENDED FOR USE BY TRAINED, PROFESSIONAL TECHNICIANS WITH THE KNOWLEDGE, TOOLS, AND EQUIPMENT TO DO THE JOB PROPERLY AND SAFELY. IT INFORMS THESE TECHNICIANS OF CONDITIONS THAT MAY OCCUR ON SOME VEHICLES, OR PROVIDES INFORMATION THAT COULD ASSIST IN PROPER VEHICLE SERVICE. THE PROCEDURES SHOULD NOT BE PERFORMED BY "DO-IT-YOURSELFERS." DO NOT ASSUME THAT A CONDITION DESCRIBED AFFECTS YOUR CAR. CONTACT A JAGUAR RETAILER TO DETERMINE WHETHER THE BULLETIN APPLIES TO YOUR VEHICLE.**

3. Ensure that the parking brake cable grommet is installed correctly in the transmission tunnel (Illustration 2).

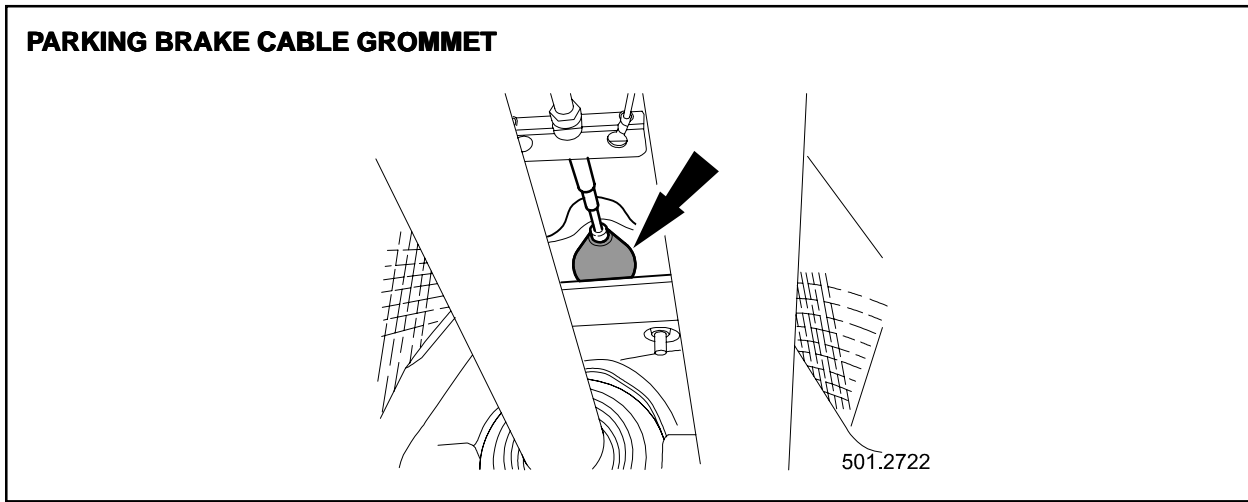


ILLUSTRATION 2

4. Ensure that the black foam seal around the steering gear/column is in place around the bulkhead opening (Illustration 3).

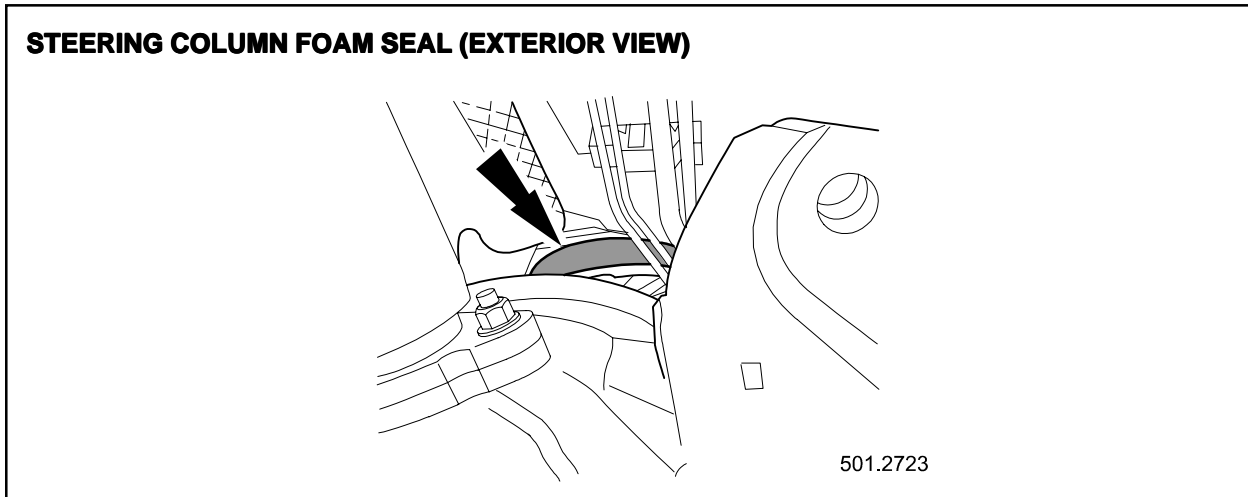


ILLUSTRATION 3

5. Lower vehicle on ramp.
6. Open hood and install fender protection covers.
7. Open driver door.

8. In the driver footwell area, ensure the steering gear/column black foam seal is in place around the body aperture (Illustration 4).

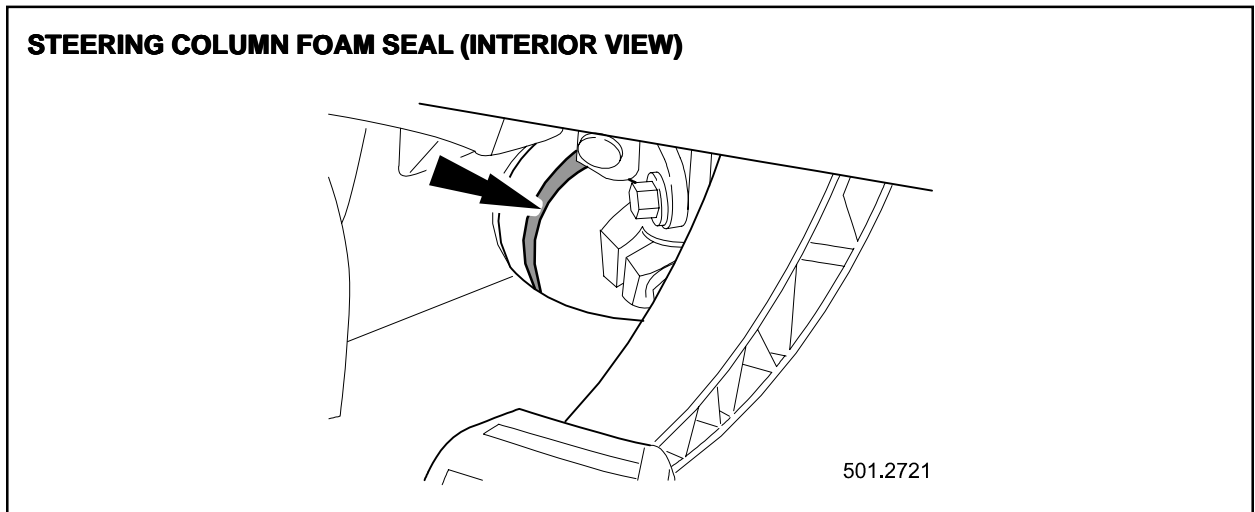


ILLUSTRATION 4

9. In the engine compartment, ensure that the grommets for the hood release cable and the electrical harness are installed correctly in the bulkhead (Illustration 5).

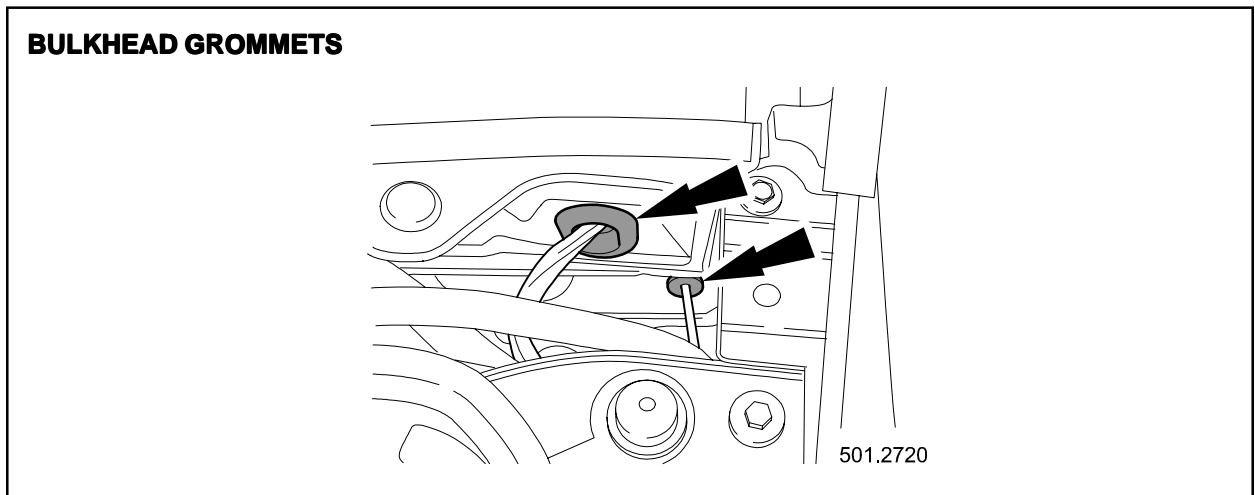


ILLUSTRATION 5

10. Remove fender protection covers and close hood.
11. Close driver door.
12. Reevaluate vehicle for driveline whine.
13. If driveline whine is still evident, install a new driveshaft (see Workshop Manual, section: 205-01, SRO 47.15.01).

**Note:** Ensure colored marks are aligned at the rear drive axle/differential. For detailed information, refer to Technical Bulletin XT100-08.

**Global Technical Reference (GTR):**Dealer Access: <https://hub.franchise.jaguar.com>Internet access: <http://www.jaguartechno.com>**Parts Information:**

<b><u>DESCRIPTION</u></b>	<b><u>PART NUMBER</u></b>	<b><u>QTY</u></b>
Driveshaft - All vehicles	C2S 38561	1
Driveshaft bolts - All vehicles	C2S 16374	12
Link washers - All vehicles	C2S 4724	6
Driveshaft flange gasket - Up to D55321	C2S 22210	2
Center bearing bolts - All vehicles	XR8 7676	2

**Warranty Information:**

Warranty claims should be submitted quoting the information found in the table below. This will result in payment of the stated time and, where applicable parts/miscellaneous expense codes as listed.

<b>Description</b>	<b>SRO</b>	<b>Time</b>	<b>Causal Part Number</b>
Check A/C drain hose routing and bulkhead/transmission tunnel grommets	46.91.03	0.3 hrs.	C2S 38561
Install new driveshaft	47.15.01	1.0 hrs.	C2S 38561