

**Front Seat Rocking –
Seat Track Stabilizing Kit –
Installation Procedure**

MODEL 2002 MY
X-TYPE

VIN C00689-C75250

Issue:

Some owners of 2002 X-TYPE vehicles within the above VIN ranges may complain of the driver's seat rocking during acceleration and braking. To eliminate this 'rocking' action, a seat mechanism tensioning spring is now available in addition to wedges that hold the seat slides against the mounting bolts.

Action:

In case of a customer complaint of the above condition on a 2002 MY X-TYPE within the above VIN range, install the adjuster spring and the wedges following the procedure below.

MODIFICATION PROCEDURE

1. Reposition driver's seat fully rearward and raise the seat base fully upward.
2. Position the new spring unit as shown in Illustration 1.

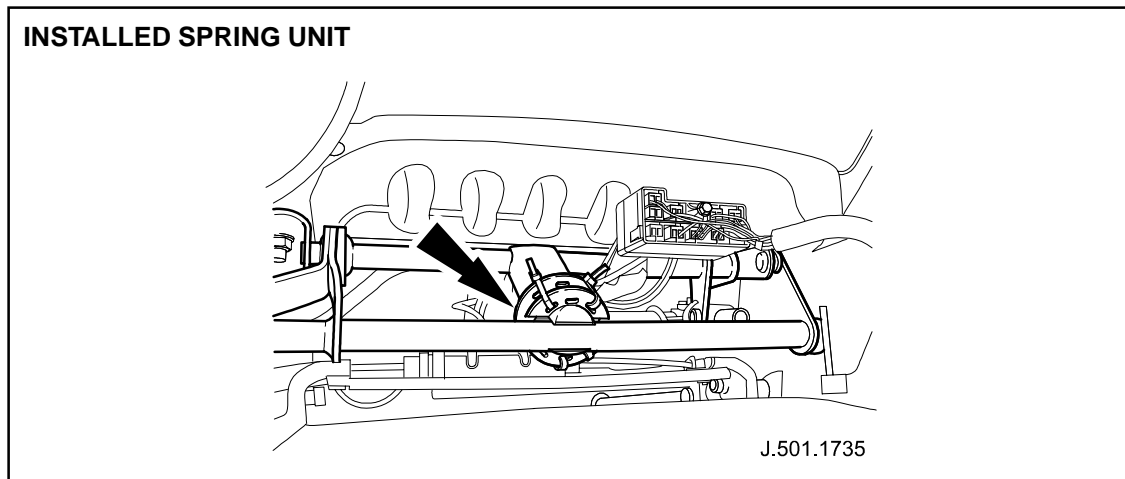


ILLUSTRATION 1

TIE STRAPS

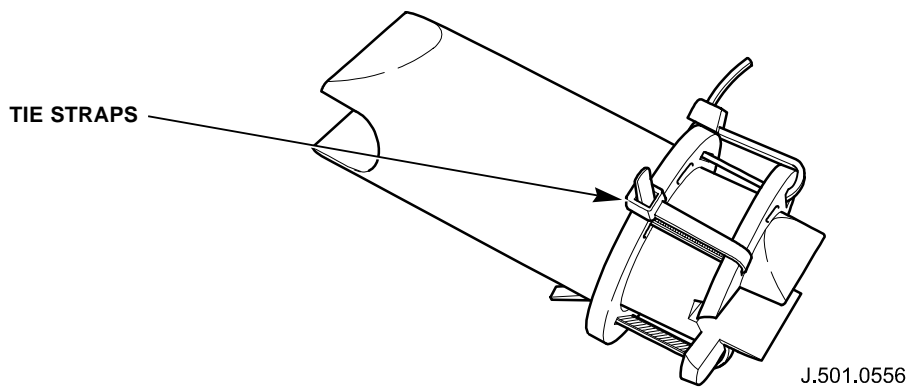


ILLUSTRATION 2

3. Use suitable cutters to cut and remove the tie straps securing the spring unit (Illustration 2).

⚠ WARNING: Keep hands and fingers clear of the spring unit while removing the spring unit tie straps.

4. Reposition driver's seat to the original position.
5. Road test the vehicle to check for seat rock.

Note: At this point if the seat rock is no longer present, there is no need to continue with this procedure. If the seat rock persists, continue with the remainder of the procedure.

6. Reposition driver's seat fully rearward.
7. Remove the front seat frame securing screws.
8. Raise front seat frame for access.
9. Align wedges between seat frame and body mounting holes (Illustration 3).

Caution: Each wedge must be installed with tang upwards and to the outer sides of seat frame.

SEAT FRAME WEDGES

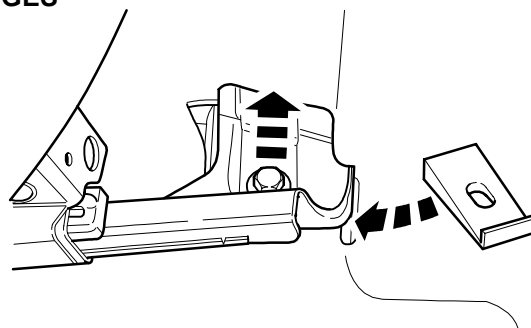


ILLUSTRATION 3

<p>Note: Ensure floor carpet is not trapped between seat frame/wedges/body.</p>
--

10. Install and tighten front seat frame securing screws.

Parts Information:

If the customer has experienced a seat rock concern on both front seats, an additional service kit can be fitted to the passenger seat.

<u>DESCRIPTION</u>	<u>PART NUMBER</u>	<u>QTY</u>
Front seat track stabilizing kit	C2S 20272	1

Warranty Information:

The total labor time for fitting two kits does not exceed 0.2 hours; therefore the RO shown below must only be used once if both seats are modified.

Warranty claims should be submitted quoting the information found in the table below. This will result in payment of the stated time and, where applicable parts/miscellaneous expense codes as listed.

Description	SRO	Time	Causal Part Number	Causal Part Description
Install X-TYPE seat rock service fix	76 93 96	0.2 hrs.	C2S 20624	6-way seat slide