

**Water Leaks In Luggage Compartment –  
Vehicle Parked Facing Downhill –  
Repair Procedure**MODEL 2002 MY  
X-TYPE

VIN C00001-C90459

**Issue:**

Some 2002 MY X-TYPE vehicles, within the above VIN range, may experience customer concerns of luggage compartment water leaks in heavy or persistent rain, when the car is parked with the front facing downhill.

**Action:**

On a customer complaint basis only, follow the workshop procedure to eliminate water leaks into the luggage compartment. Carry out the luggage compartment water leak procedure on both sides of the luggage compartment aperture.

**WORKSHOP PROCEDURE**

1. Open luggage compartment.
2. Remove luggage compartment lid seal.

**Note:** The luggage compartment seal is a once-only fit.

3. Use appropriate tar and glue remover to clean seal flange around luggage compartment aperture.
4. Ensure there is no step between the upper back panel and luggage compartment lid drain channel. (Illustration 1)

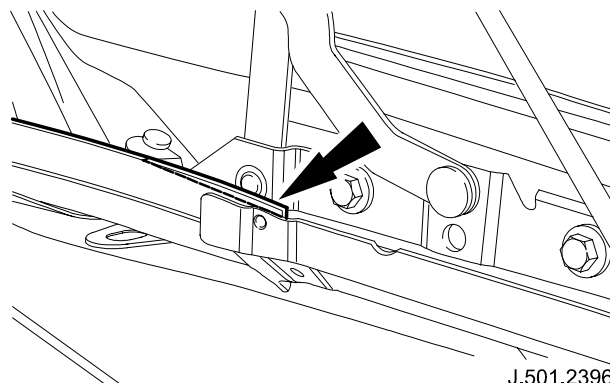
**LOCATION TO CHECK FOR SMOOTH TRANSITION**

ILLUSTRATION 1

5. Remove excess material by filing or grinding.
6. Clear all filings from luggage compartment drain channel.
7. Coat any bare metal with zinc-rich paint.

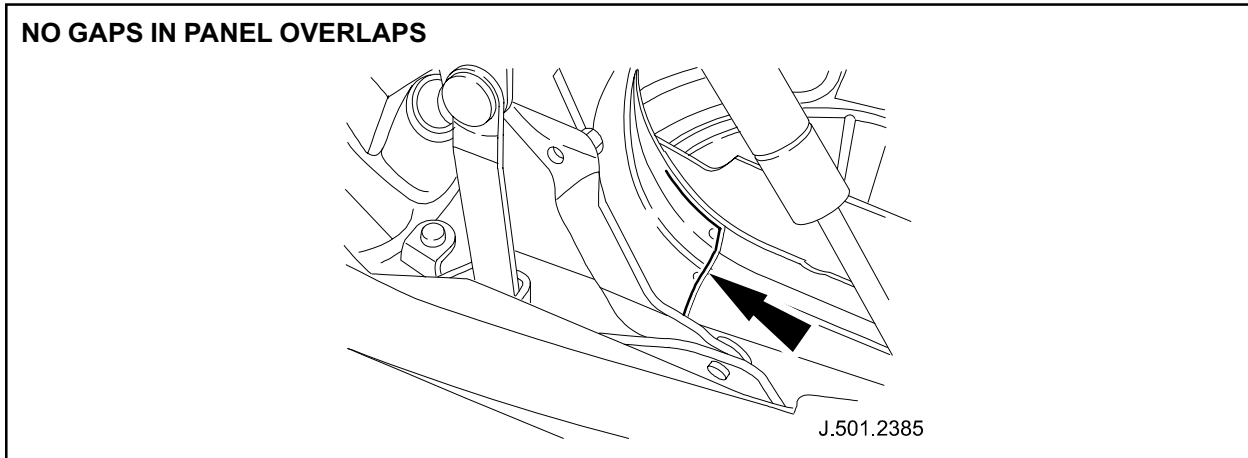


ILLUSTRATION 2

8. Ensure there are no gaps between the panels where they overlap. (Illustration 2)

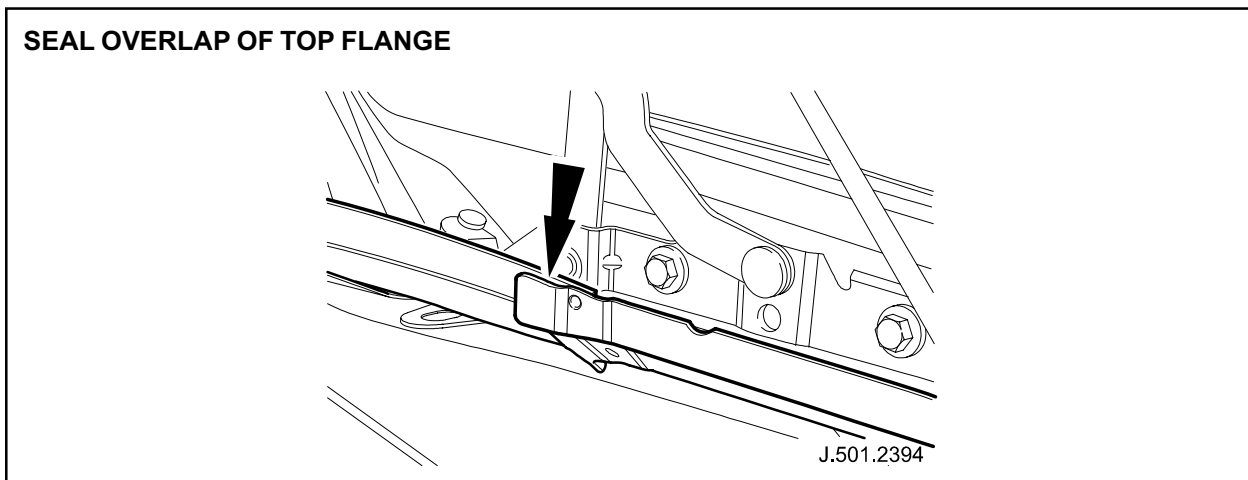


ILLUSTRATION 3

9. Use suitable clear air-drying sealant to seal along path of overlap.

**Note:** The overlap at the top of flange should be fully sealed to eliminate potential water leak paths. (Illustration 3)

## HINGE MOUNTING BOLTS

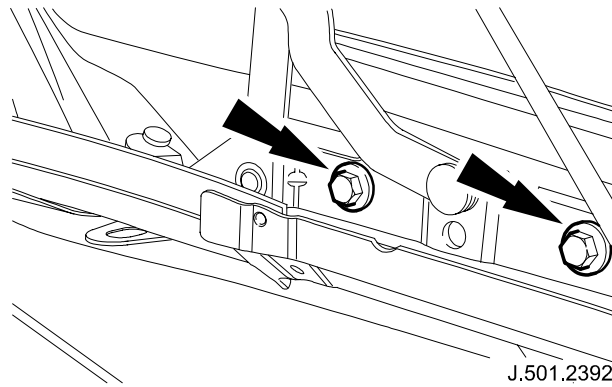


ILLUSTRATION 4

10. Remove one of the luggage compartment lid hinge to body securing bolts.  
(Illustration 4)
11. Apply butyl sealant to luggage compartment lid hinge to body securing bolt threads.
12. Install luggage compartment lid hinge to body securing bolt and tighten to 25 Nm.
13. Repeat steps 10, 11 and 12 for all other luggage compartment lid hinge to body securing bolts.
14. Install new luggage compartment lid seal.

## ELECTRICAL HARNESS TUBE/GROMMET

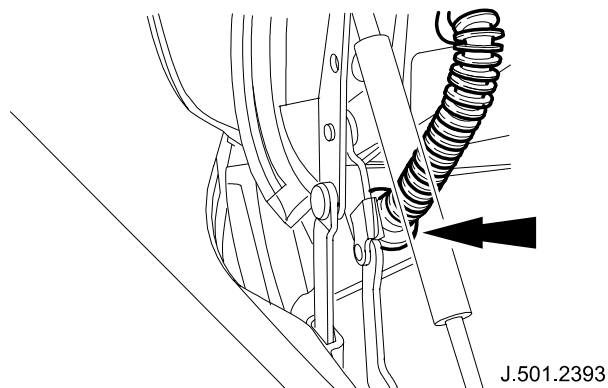


ILLUSTRATION 5

15. Displace luggage compartment electrical harness tube/grommet from vehicle body.  
(Illustration 5)

### ADJUSTING LENGTH OF HARNESS TUBE

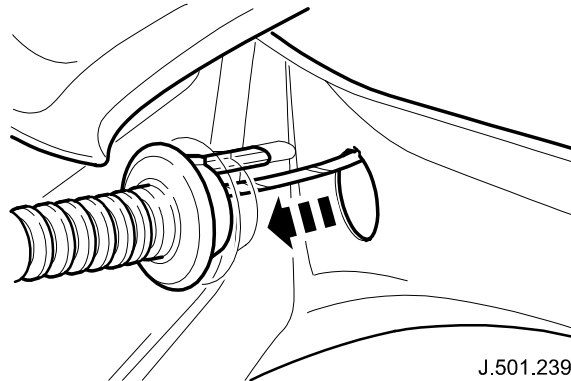


ILLUSTRATION 6

- 16 Pull back harness tube along harness towards luggage compartment lid, effectively shortening tube by approx. 15 mm. (Illustration 6)

### SECURING TUBE TO HARNESS

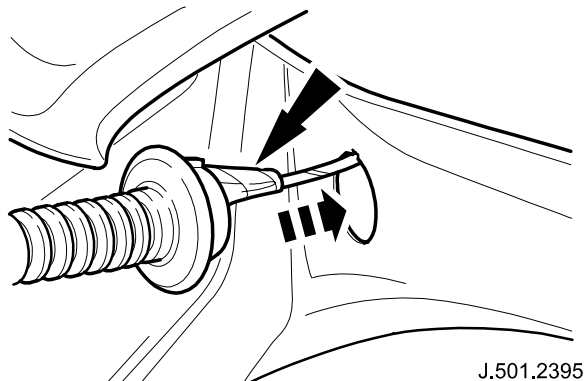


ILLUSTRATION 7

- 17 Secure harness tube to harness in this position using electrical tape around the 'tang' of the tubes grommet, and install harness tube to vehicle body in original position. (Illustration 7)
- 18 Close luggage compartment lid.

**Parts Information:**

<b>DESCRIPTION</b>	<b>PART NUMBER</b>	<b>QTY</b>
Luggage compartment lid seal	C2S 25258	1

**Warranty Information:**

Warranty claims should be submitted quoting the information found in the table below. This will result in payment of the stated time and, where applicable parts/miscellaneous expense codes as listed.

<b>Description</b>	<b>SRO</b>	<b>Time</b>	<b>Causal Part Number</b>	<b>Causal Part Description</b>
Luggage compartment leak rectification	76.94.18	0.4 hrs.	C2S 23515	Luggage compartment lid seal